

Trio

Display cabinet lighting

Description

Lumenal's Trio cabinet light is designed especially for display cases and is ideal for jewellery, souvenirs, watches, pens and many other luxury items.

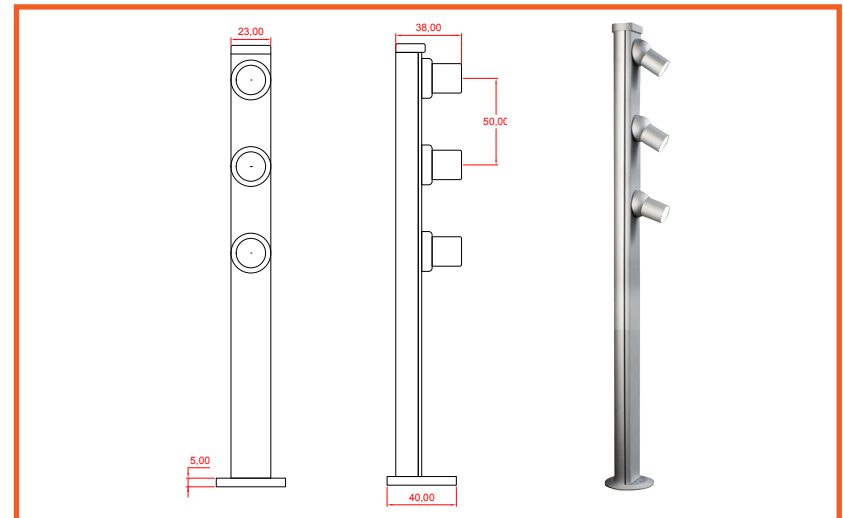
The Trio cabinet light is 250mm high, is available in Black and Silver and features 3 adjustable LED's to enable you to focus the light onto your product. Up to 2 Trio luminaires can be run from one of the LED drivers we supply.

Key Attributes

- Adjustable lamp head
- Highly energy efficient
- Massively reduces energy costs
- Lifetime - 35,000 hours (L70)
- Elegant and bright

Technical Details

Wattage	5.4w
Colour Temperature	4000k (3000k to order)
Number of LED's	3
Beam Angle	25°
Height	250mm



Trio



www.lumenal.co.uk
info@lumenal.co.uk
0845 277 6000

